

Exhaust Systems and Accessories

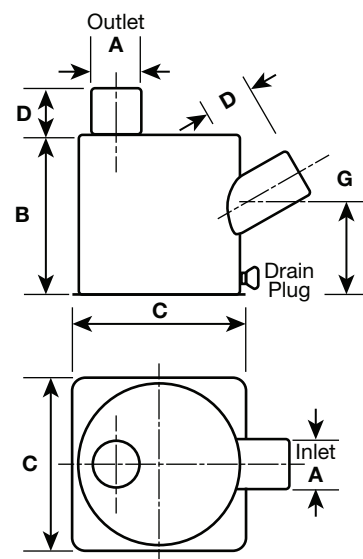
Composite Silencers and Separators



Lift Silencers - Side Angle In Top Out

Lift Silencers - Side Angle In Top Out									
Part No.	Reference	A		B	C	D	F	G °	Weight kg
		inch	mm	mm	mm	mm	mm		
H001454	HAT015	2.36	60	270	275	60	175	30	3.6
H001456	HAT020	3	76	270	275	76	175	30	3.9
H001458	HAT025	3.5	89	305	324	91	184	30	5.5
H001459	HAT030	3.5	89	266	275	89	152	30	4.4
H001460	HAT035	4	102	480	324	130	300	35	7.8
H001461	HAT040	4	102	305	324	85	184	35	5.7
H001462	HAT043	4.5	114	480	324	135	300	35	7.9
H001463	HAT045	5	127	480	324	140	300	35	8.7
H001464	HAT050	6	152	370	446	200	222	35	11.2
H010302	HAT055	8	203	521	548	201	323	55	18.6
H017158	HAT060	10	254	660	650	289	374	55	29.6

Drawings and dimensions are for guidance. Alternative sizes and configurations available on request.



Lift Silencers - End In End Out



Lift Silencers - End In End Out									
Part No.	Reference	A		B	C	D	F	Weight kg	
		inch	mm	mm	mm	mm	mm		
H001496	HEE005	1.5	38	250	178	55	141	1.7	
H001497	HEE010	1.6	41	250	178	65	133	1.8	
H001498	HEE020	1.77	45	250	178	65	133	1.8	
H001499	HEE035	2	51	310	178	65	133	2.1	
H001500	HEE040	2	51	420	254	65	195	4.2	
H001501	HEE045	2	51	250	178	65	133	1.8	
H001502	HEE060	2.36	60	310	254	75	195	3.7	
H001503	HEE065	2.36	60	420	254	75	195	4.4	
H001504	HEE070	2.5	63	420	254	75	195	4.4	
H001505	HEE080	3	76	420	254	80	195	4.7	
H001506	HEE090	3.5	89	465	254	89	188	5.2	
H001507	HEE095	4	102	462	305	102	222	6.8	
H001508	HEE100	4.5	114	462	305	114	220	7	
H001509	HEE105	5	127	599	305	126	220	8.8	
H001510	HEE110	6	152	640	346	152	260	11.4	
H010303	HEE115	8	203	695	446	205	297	18.4	

Drawings and dimensions are for guidance. Alternative sizes and configurations available on request.

